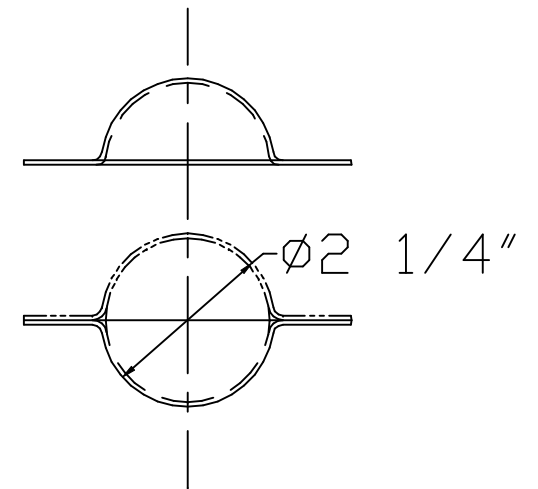
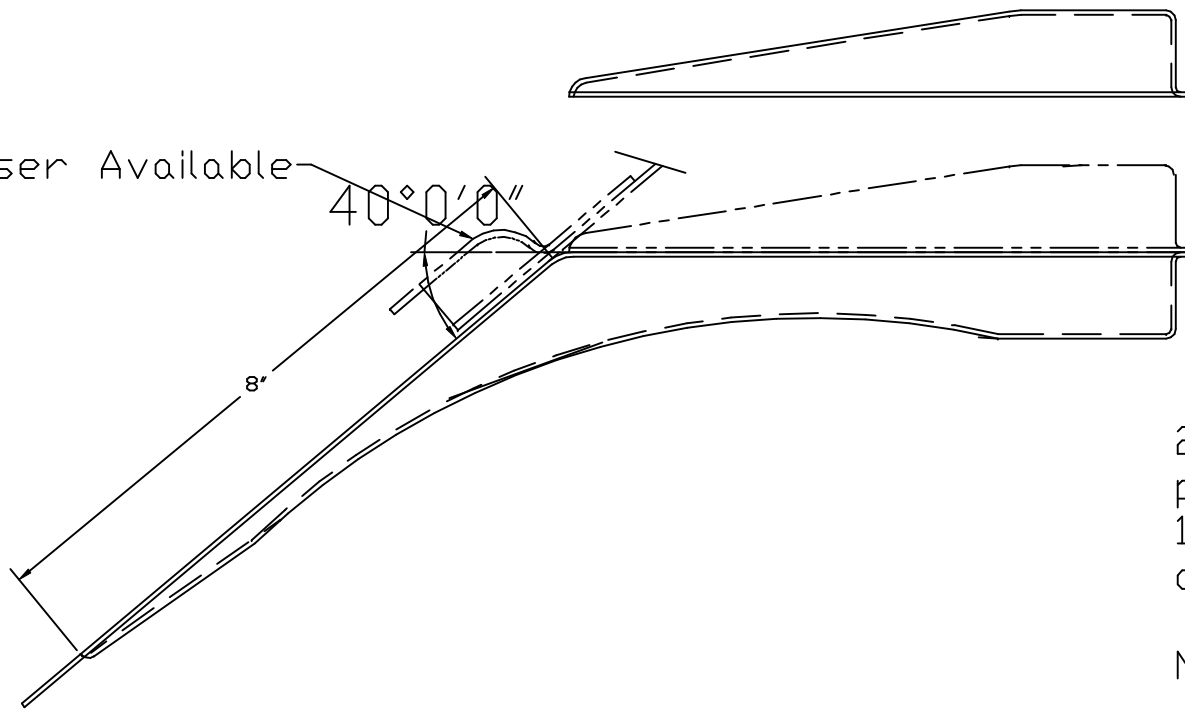


Optimiser Available



- 2. Material- .060 polycarbonate.
- 1. Flange width 1" as required

Notes:

**001 - HE**