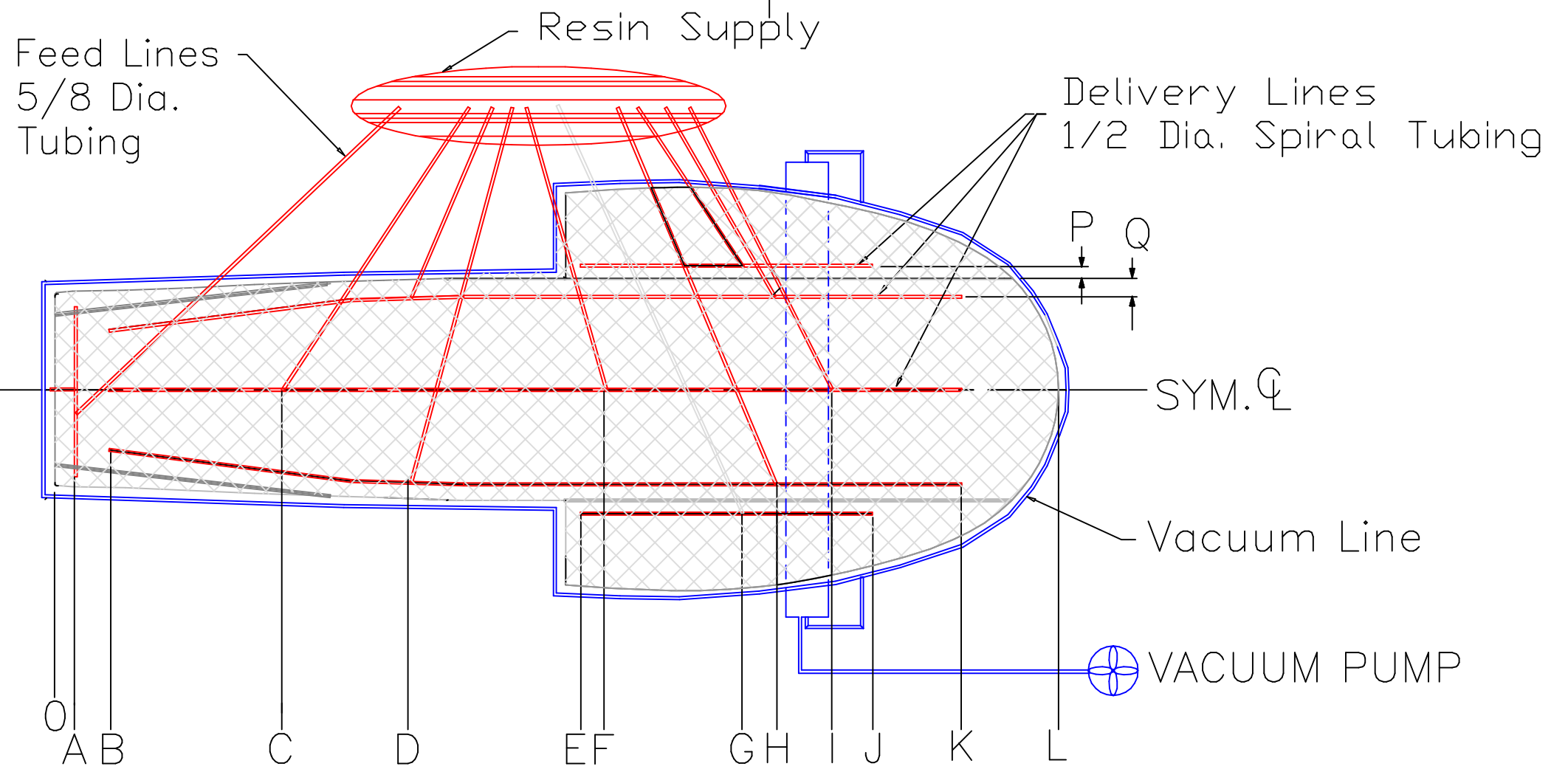
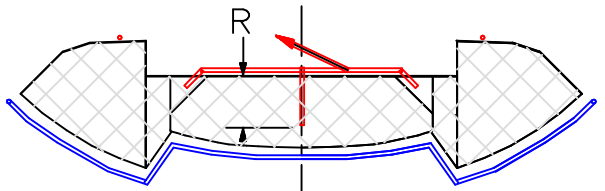


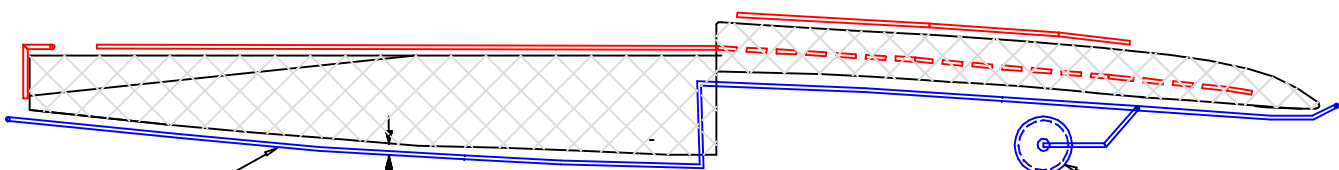
REVISIONS				
ZONE	REV	DESCRIPTION	DATE	APPROVED



Distances		
"0" to	Other	
A	4"	
B	22"	
C	84"	
D	120"	
E	180"	
F	204"	
G	228"	
H	228"	
I	288"	
J	300"	
K	336"	
L	372"	
M	x	
N	x	
P		6"
Q		8"
R		12"
S		6"
T		x



Vacuum Line



1. For list of Materials see Pg. 2
Notes:—

		CAMERON AIRCRAFT		
		HULL INFUSION MOLD		
D.W.HOOD	8/29/09	SIZE B	FSCM NO.	DWG NO.
		SCALE NONE	SHEET 1 of 2	